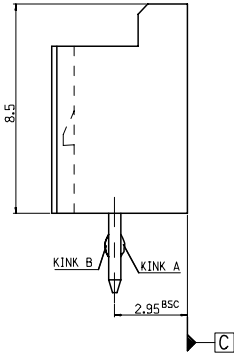
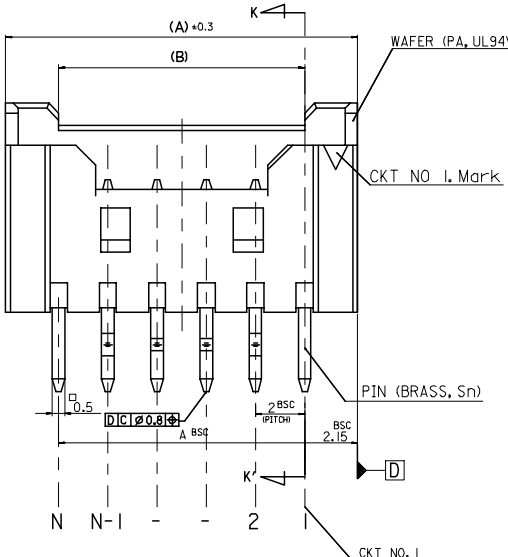
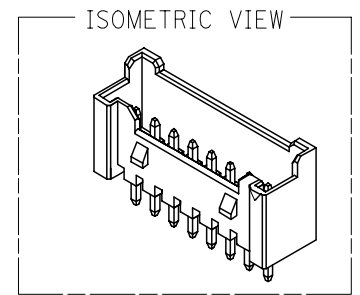
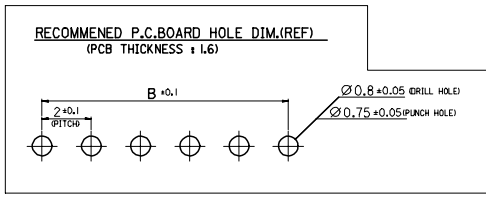
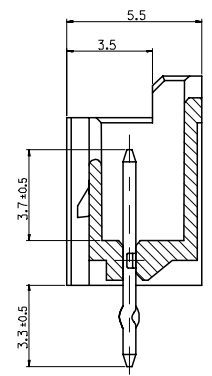
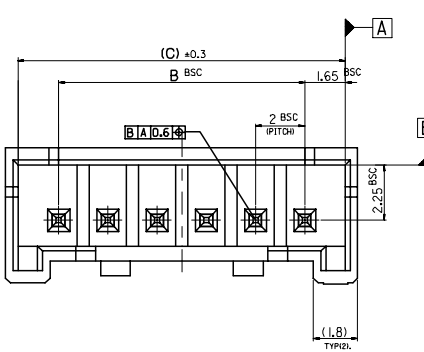


10 9 8 7 6 5 4 3 2 1



LEGEND

SD-35362-****

CKT NO. COLOR

- 0 : NATURAL
- 1 : BLACK
- 2 : RED
- 3 : YELLOW
- 4 : BLUE
- 5 : GREEN
- 6 : TUBE PACKING (Natural Color)
- 7 : TUBE PACKING (Red Color)
- 8 : TUBE PACKING (Blue Color)

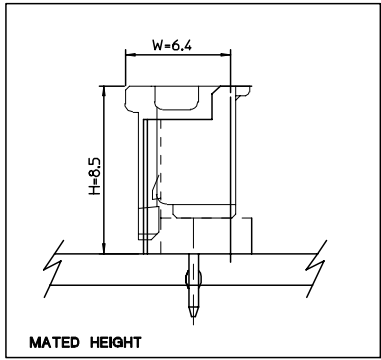
FINAL GOOD (BULK) 5 : SELECTIVE KINK (LEAD FREE)
6 : NONE KINK (LEAD FREE)

SUB ASSY (TUBE) 7 : SELECTIVE KINK (LEAD FREE)
8 : NONE KINK (LEAD FREE)

- NOTES**
- ① MATERIAL : UNFILLED POLYAMIDE, UL94V-0
PIN : BRASS, TIN PLATED
 2. FINISHES : TERMINAL : Sn 2-3um OVERALL
 3. PRODUCT SPECIFICATION : PS-35507-003
 4. MATING HOUSING : 35507-***
MATING TERMINAL : 50212-8000
 5. KINK

CKT NO	1	2	3	4	5	N-2	N-1	N
6 CKT OVER	-	A	B	-	-	B	A	-
5 CKT	A	B	-	B	A			
4 CKT	A	B	B	A				

31.3	28	32.3	3536215**	35362-15**	15
29.3	26	30.3	3536214**	35362-14**	14
27.3	24	28.3	3536213**	35362-13**	13
25.3	22	26.3	3536212**	35362-12**	12
23.3	20	24.3	3536211**	35362-11**	11
21.3	18	22.3	3536210**	35362-10**	10
19.3	16	20.3	3536209**	35362-09**	9
17.3	14	18.3	3536208**	35362-08**	8
15.3	12	16.3	3536207**	35362-07**	7
13.3	10	14.3	3536206**	35362-06**	6
12.3	8	12.3	3536205**	35362-05**	5
9.3	6	10.3	3536204**	35362-04**	4
.	.	.	ENG. NO.	ENG. NO.	CKT



LEAD FREE

30 over	±0.3
10 over 30 under	±0.25
10 under	±0.2
ANGLE	±3°
GENERAL TOLERANCE	

REVISED
EC NO: KOR2007-0144
DRWN:HJEONG 2007/05/11
CHKD:YSOOKIM 2007/05/22
APPR:YUNSIKKIM 2007/05/29

QUALITY SYMBOLS
▽=0
△=0

GENERAL TOLERANCES (UNLESS SPECIFIED)

	mm	INCH
4 PLACES	±---	±---
3 PLACES	±---	±---
2 PLACES	±---	±---
1 PLACE	±---	±---
ANGULAR ±---°		

DRAFT WHERE APPLICABLE
MUST REMAIN WITHIN DIMENSIONS

DIMENSION STYLE
MM ONLY

DRAWN BY YSOOKIM DATE 1996/09/11
CHECKED BY DATE 1996/09/11
APPROVED BY CWLEE DATE 1996/09/11

MATERIAL NO.
ENTER PART

SIZE A3

SCALE 5:1
DESIGN UNITS METRIC
THIRD ANGLE PROJECTION

TITLE 2.0 W/B WAFER ASS'Y -LEAD FREE-

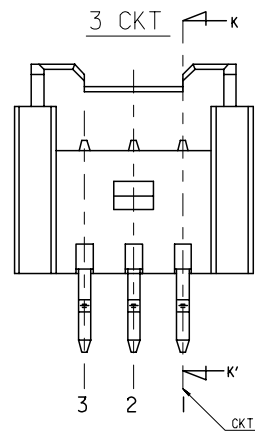
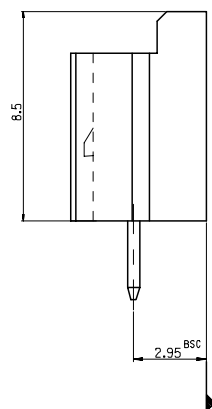
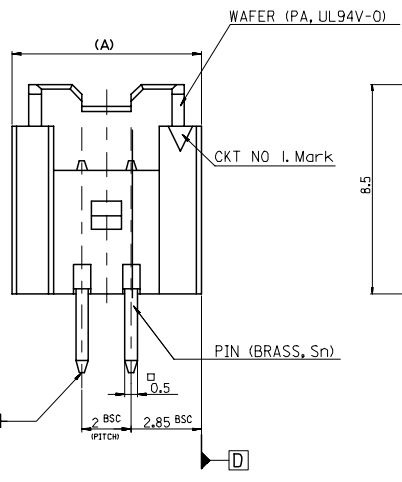
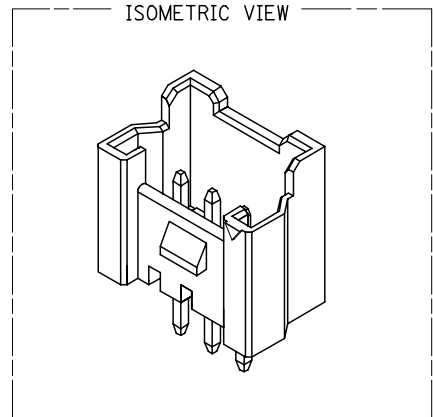
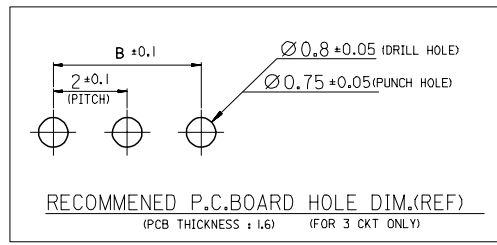
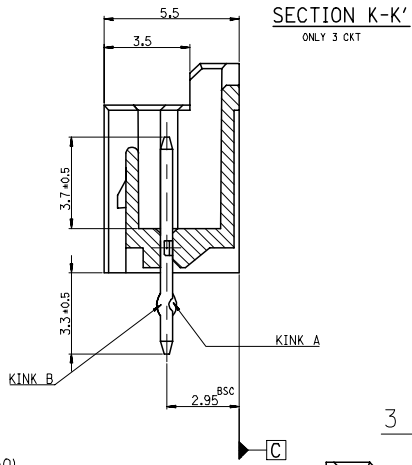
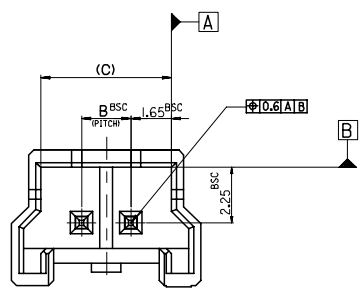
MOLEX MOLEX INCORPORATED

DOCUMENT NO. SD-35362-002 SHEET NO. 1 OF 3

THIS DRAWING CONTAINS INFORMATION THAT IS PROPRIETARY TO MOLEX INCORPORATED AND SHOULD NOT BE USED WITHOUT WRITTEN PERMISSION

9 8 7 6 5 4 3 2 1

FOR 2 & 3 CKTS.



LEGEND

SD-35362-***

CTK NO. COLOR

- 0 : NATURAL
- 1 : BLACK
- 2 : RED
- 3 : YELLOW
- 4 : BLUE
- 5 : GREEN
- 6 : TUBE PACKING (Natural Color)
- 7 : TUBE PACKING (Red Color)
- 8 : TUBE PACKING (Blue Color)

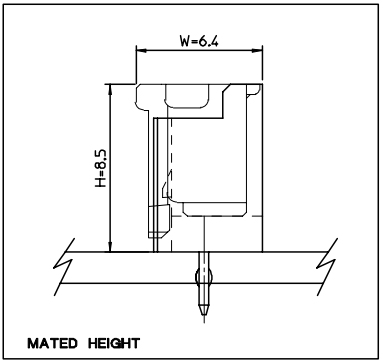
FINAL GOOD (BULK)

- 5 : SELECTIVE KINK (LEAD FREE)
- 6 : NONE KINK (LEAD FREE)

SUB ASSY (TUBE)

- 7 : SELECTIVE KINK (LEAD FREE)
- 8 : NONE KINK (LEAD FREE)

- NOTES**
- 1. MATERIAL : UNFILLED POLYAMIDE, UL94V-0
PIN : BRASS, Tin PLATED
 - 2. FINISHES : TERMINAL : Sn 2.3um OVERALL
 - 3. PRODUCT SPECIFICATION : PS-35507-003
 - 4. MATING HOUSING : 35507-***
MATING TERMINAL : 50212-8000
 - 5. KINK



7.3	4	9.7	3536203**	35362-03**	3
5.3	2	7.7	3536202**	35362-02**	2
.	.	.	MATERIAL NO.	ENG. NO.	CKT

CTK NO	1	2	3
	NONE KINK		
3 CKT	A	B	A

LEAD FREE

30 over	±0.3
10 over 30 under	±0.25
10 under	±0.2
ANGLE	±3°
GENERAL TOLERANCE	

REVISED EC NO: KOR2007-0144
 DRWN: HJEONG 2007/05/11
 CHKD: YSOOKIM 2007/05/22
 APPR: YUNSIKKIM 2007/05/29

QUALITY SYMBOLS
 ▽=0
 ▽=0

GENERAL TOLERANCES (UNLESS SPECIFIED)	mm	INCH
	4 PLACES ±---	±---
DIMENSION STYLE MM ONLY	DRAWN BY	DATE
	YSOOKIM	1996/09/11
DRAFT WHERE APPLICABLE MUST REMAIN WITHIN DIMENSIONS	CHECKED BY	DATE
	JKOH	1996/09/11
ENTER PART	APPROVED BY	DATE
	CWLEE	1996/09/11
SIZE A3	THIS DRAWING CONTAINS INFORMATION THAT IS PROPRIETARY TO MOLEX INCORPORATED AND SHOULD NOT BE USED WITHOUT WRITTEN PERMISSION	

SCALE 5:1 DESIGN UNITS METRIC THIRD ANGLE PROJECTION

TITLE: 2.0 W/B WAFER ASS'Y -LEAD FREE-

MOLEX MOLEX INCORPORATED

DOCUMENT NO. SD-35362-002 SHEET NO. 2 OF 3

